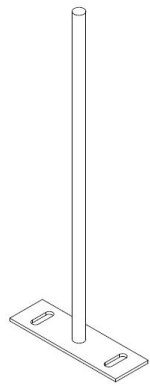


Radius18 on Plantation 1500 x 750mm DSD

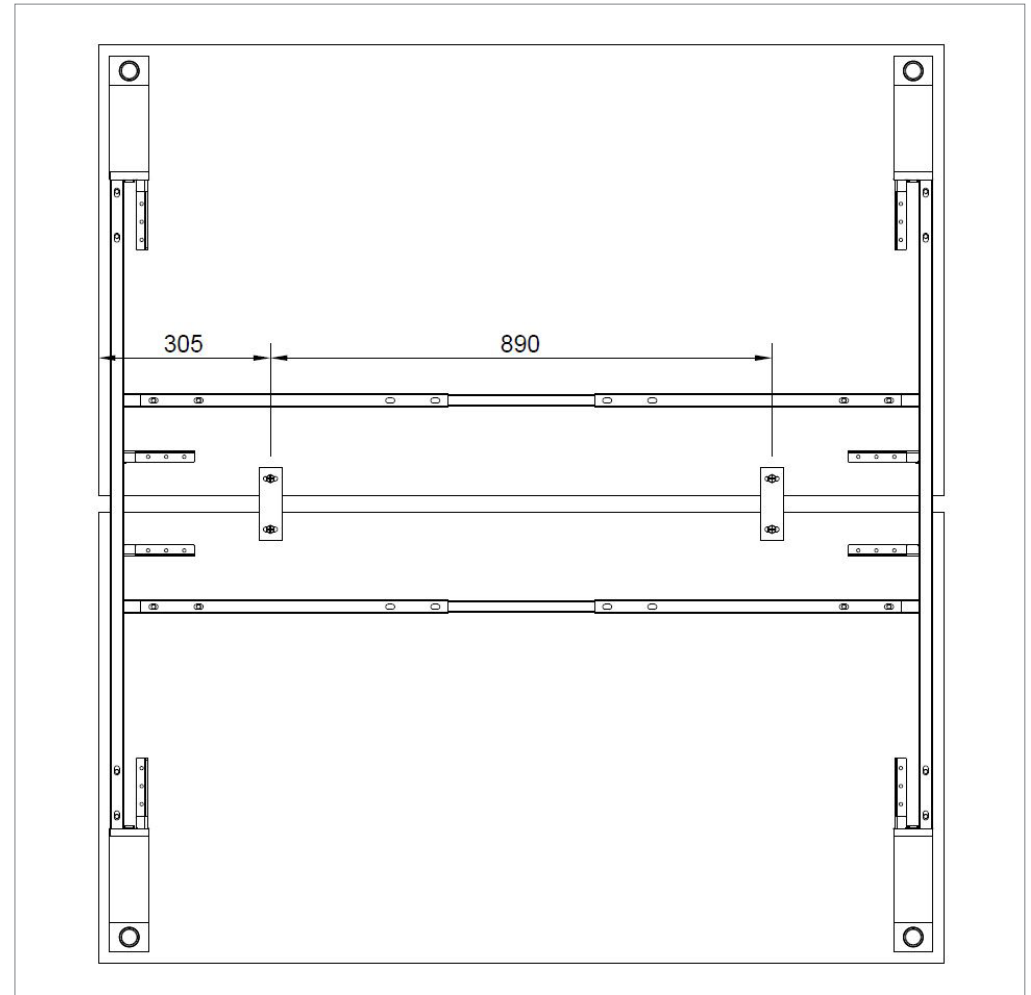
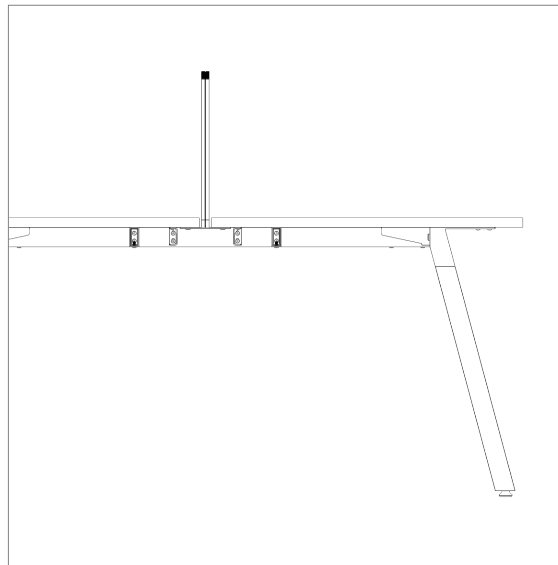
Assembly Instructions

Radius18 on Plantation 1500 x 750mm DSD

Assembly Instructions



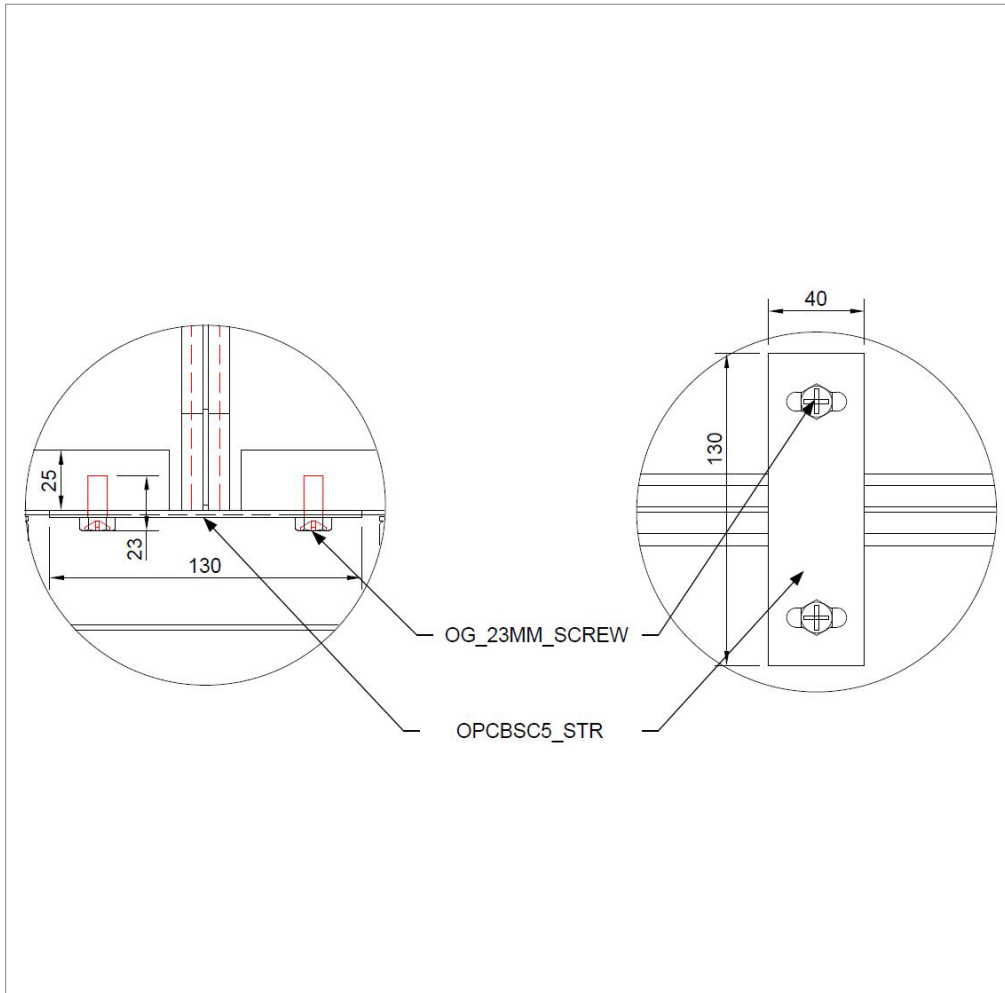
Bracket



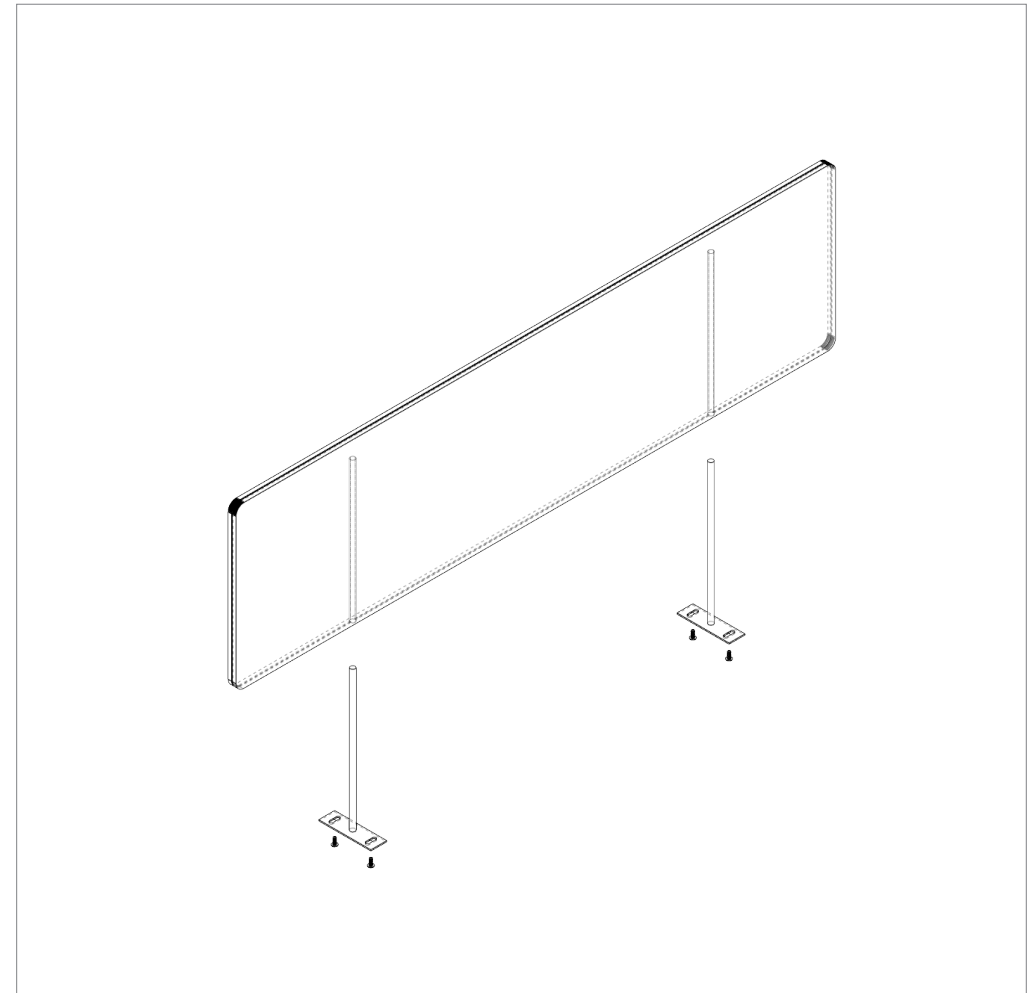
STEP 1: Line up the brackets 305mm in from the edge of the worktop.

Radius18 on Plantation 1500 x 750mm DSD

Assembly Instructions



STEP 2: Using 2 x 23mm screws per bracket, fix to the underside of the worktop.



STEP 3: Slot the screen onto the brackets.